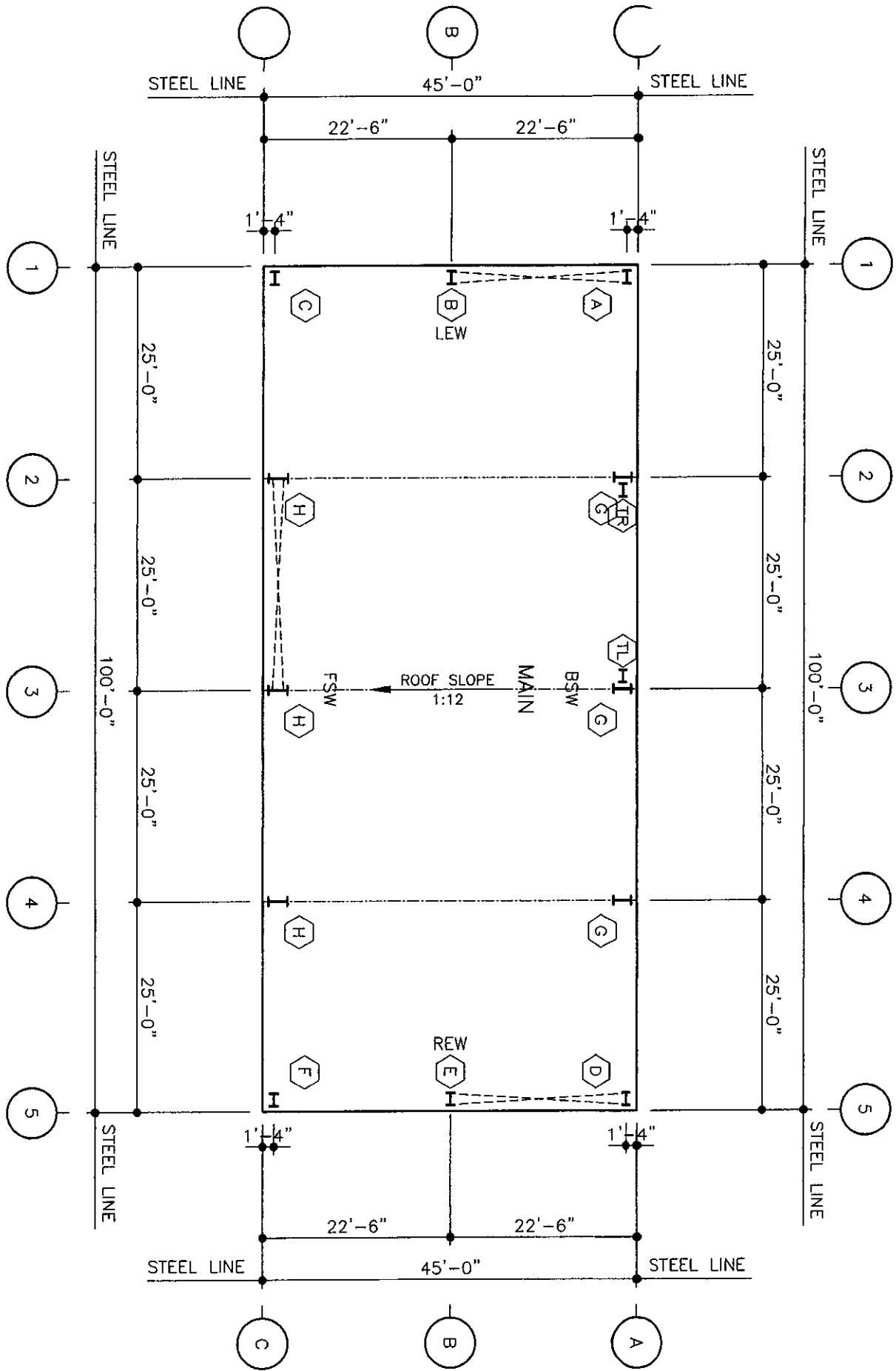


ish floor elevation assumed to be 100'-0" unless noted otherwise.



DO NOT USE FOR FINAL CONSTRUCTION

SHEET TITLE: 3/11/2021 10:09 AM
PRELIMINARY ANCHOR BOLT PLAN

SHEET NUMBER: AP1
 QUOTE NUMBER: 110P-21030

PROJECT NAME:
BLAESE
 PONDERAY, ID

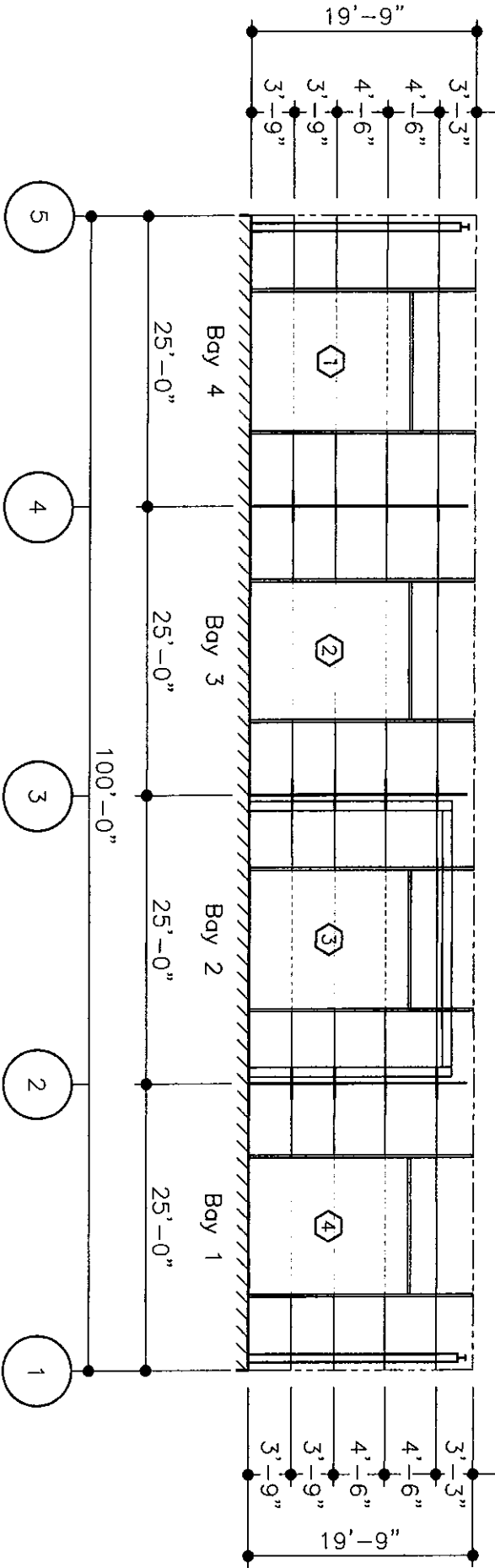
CUSTOMER NAME:
SANDPOINT STRUCTURES



KEY PLAN

MAIN

ID	QTY	WIDTH	HEIGHT	SILL HEIGHT	LOCATED
1	1	12'-0"	14'-0"	0'-0"	FIELD
2	1	12'-0"	14'-0"	0'-0"	FIELD
3	1	12'-0"	14'-0"	0'-0"	FIELD
4	1	12'-0"	14'-0"	0'-0"	FIELD



ELEVATION AT LINE A

DO NOT USE FOR FINAL CONSTRUCTION
 SHEET TITLE: 3/11/2021 10:09 AM
 PRELIMINARY STRUCTURAL ELEVATIONS
 SHEET NUMBER: STR
 QUOTE NUMBER: 110P-21039

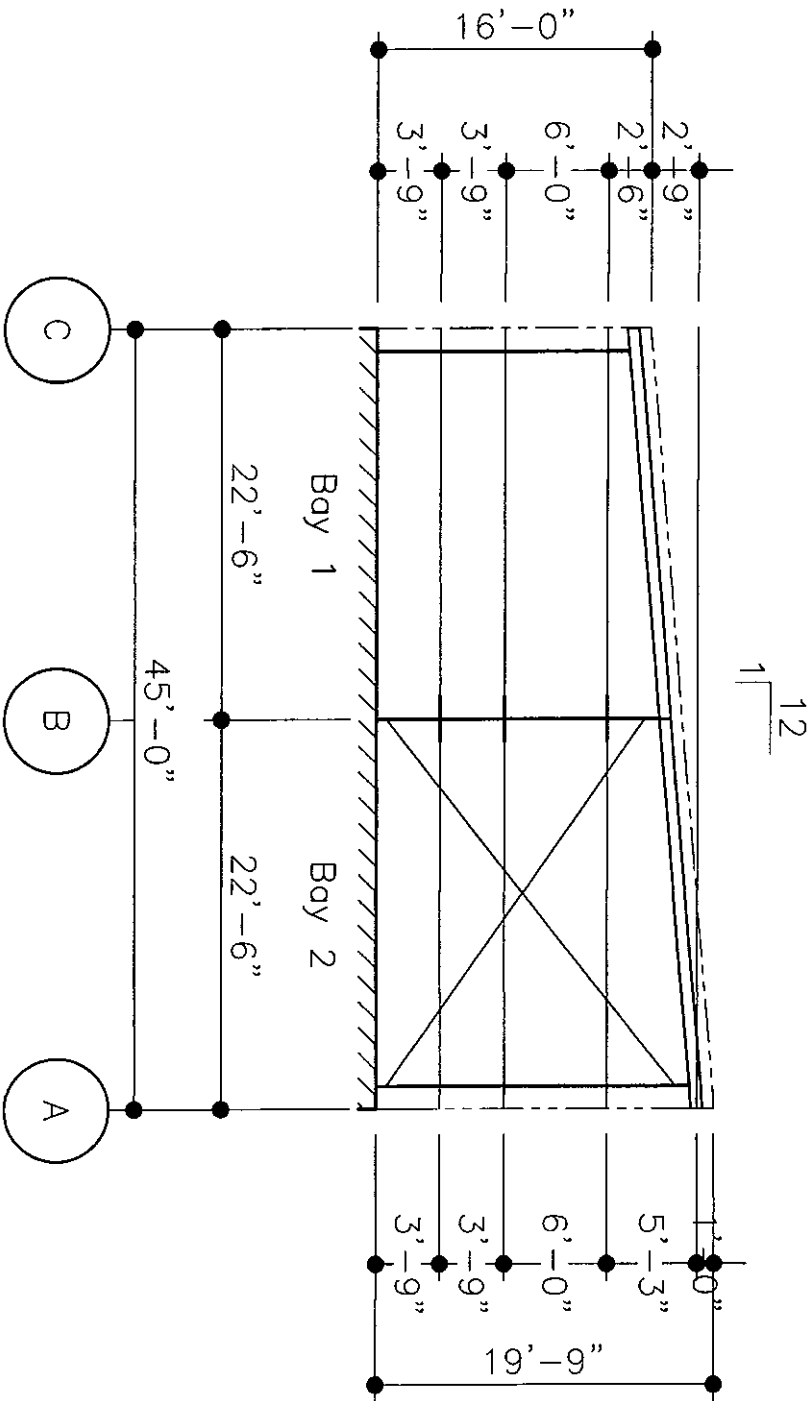
PROJECT NAME:
 BLAESE
 PONDERAY, ID
 CUSTOMER NAME:
 SANDPOINT STRUCTURES



Product Approved By
 202006

KEY PLAN

MAIN



ELEVATION AT LINE 5

DO NOT USE FOR FINAL CONSTRUCTION

SHEET TITLE: 3/11/2021 10:09 AM
PRELIMINARY STRUCTURAL ELEVATIONS

SHEET NUMBER: ST7

QUOTE NUMBER: 110P-21039

PROJECT NAME:

BLAESE
PONDERAY, ID

CUSTOMER NAME:

SANDPOINT STRUCTURES

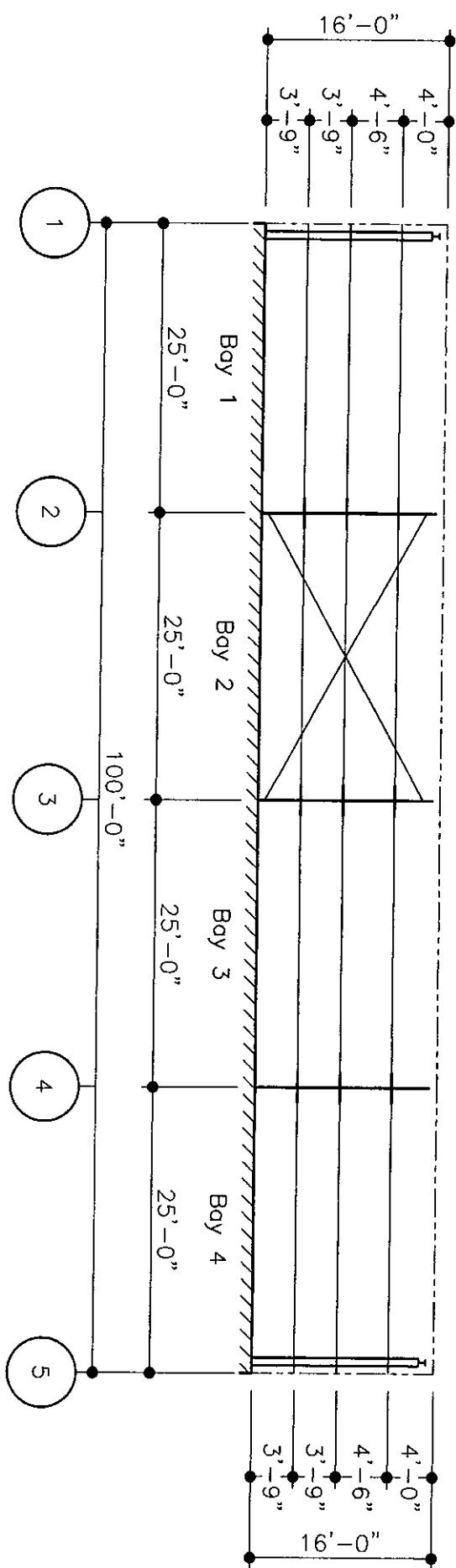


Driving Innovation in
Steel Buildings



KEY PLAN

MAIN



ELEVATION AT LINE C

DO NOT USE FOR FINAL CONSTRUCTION

PROJECT NAME:

BLAESE

SHEET TITLE:

3/11/2021 10:09 AM

ANDERAY, ID

OWNER NAME:

PRELIMINARY STRUCTURAL ELEVATION:

SHEET NUMBER:

ST6

QUOTE NUMBER:

110P-21039

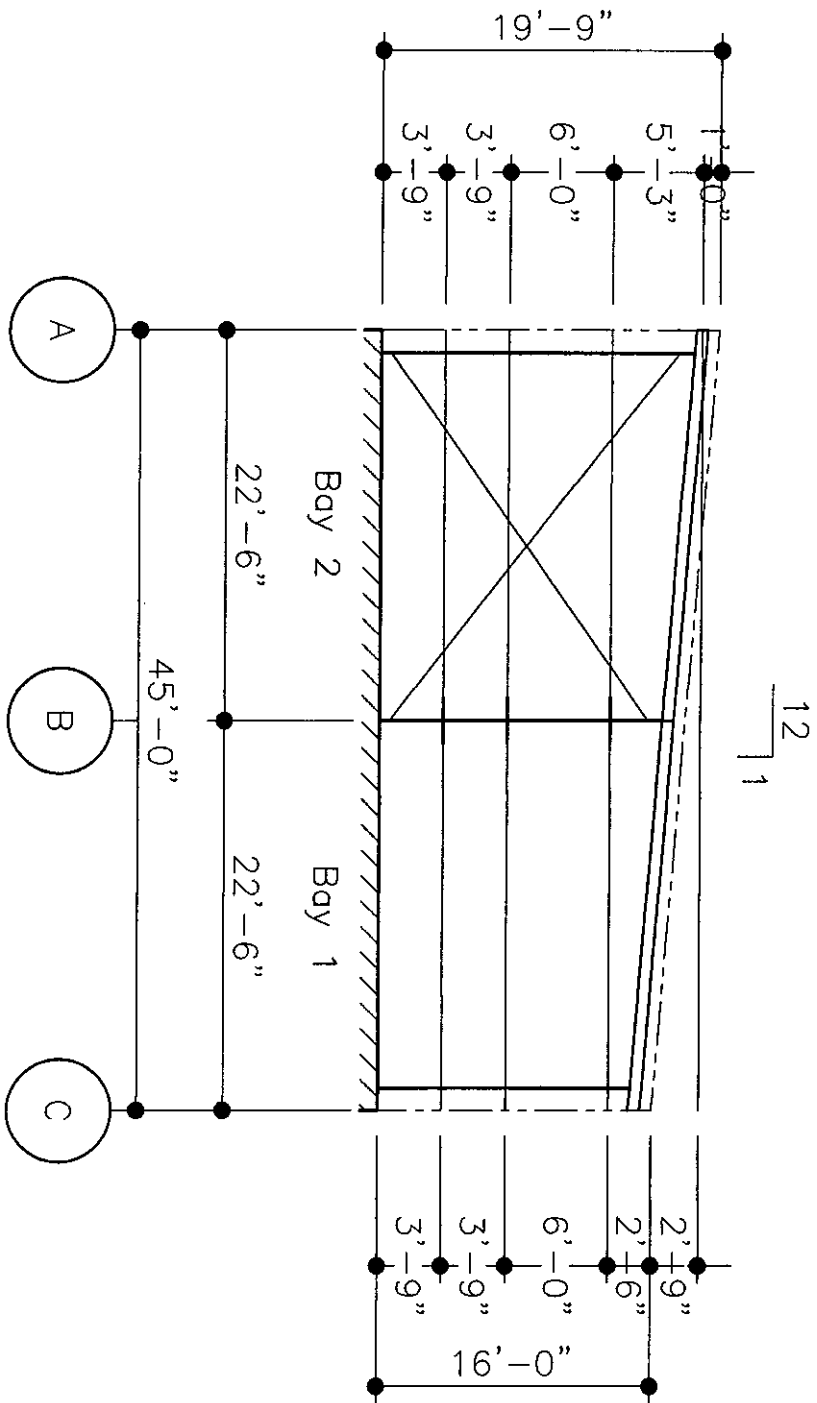
SANDPOINT STRUCTURES



Strong Partners In
Texas



613



ELEVATION AT LINE 1

DO NOT USE FOR FINAL CONSTRUCTION

SHEET TITLE: 3/11/2021 10:09 AM

PRELIMINARY STRUCTURAL ELEVATIONS

SHEET NUMBER: QUOTE NUMBER:

ST5

110P-21030

PROJECT NAME:

BLAISE
PONDERAY, ID

CUSTOMER NAME:

SANDPOINT STRUCTURES



Printed by: 3/11/2021 10:09 AM

