

**PLANT SCHEDULE**

TREES	QTY	BOTANICAL NAME	COMMON NAME	SIZE
AG	2	ACER GRANDIDENTATUM 'SCHMIDT'	ROCKY MOUNTAIN GLOW MAPLE	1.5" CAL.
AB	2	ACER RUBRUM 'AUTUMN BLAZE'	AUTUMN BLAZE RED MAPLE	1.5" CAL.
CF	2	CARPINUS BETULUS 'FRANZ FONTAINE'	FRANZ FONTAINE HORNBEAM	1.5" CAL.
PS	2	PINUS CEMBRA 'SILVER SHEEN'	SWISS STONE PINE	4' HT.
PF	-	PINUS FLEXILIS 'VANDERWOLF'S PYRAMID'	VANDERWOLF'S PYRAMID PINE	4' HT.
PP	5	PINUS PONDEROSA	PONDEROSA PINE	3' HT.

SHRUBS	QTY	BOTANICAL NAME	COMMON NAME	SIZE
BT	16	BERBERIS THUNBERGII 'MONOMB'	CHERRY BOMB JAPANESE BARBERRY	2 GAL.
BO	3	BERBERIS THUNBERGII 'ORANGE ROCKET'	ORANGE ROCKET BARBERRY	1 GAL.
CG	2	CHAMAECYPARIS FISIFERA 'GOLDEN MOP'	GOLDEN MOP THREADLEAF FALSE CYPRESS	2 GAL.
CS	-	CORNUS SERICEA 'KELSEYI'	KELSEYI DOGWOOD	1 GAL.
EB	19	EUCONYMIUS FORTUNEI 'BLONDY' TM	BLONDY EUNONYMUS	2 GAL.
HA	6	HYDRANGEA ARBORESCENS 'ABETWO'	INCREDIBALL HYDRANGEA	2 GAL.
HL	1	HYDRANGEA PANICULATA 'LIMELIGHT'	LIMELIGHT HYDRANGEA	1 GAL.
JS	3	JUNIPERUS SCOPULORUM 'SKYROCKET'	SKYROCKET JUNIPER	2 GAL.
LH	11	LAVANDULA ANGUSTIFOLIA 'HIDCOTE BLUE'	HIDCOTE BLUE LAVENDER	2 GAL.
PM	2	PINUS MUGO 'MOPS'	MUGO PINE	2 GAL.
RX	8	ROSA X 'RADTKOPINK'	PINK DOUBLE KNOCK OUT ROSE	2 GAL.
TX	6	TAXUS X MEDIA 'DENSIFORMIS'	DENSE YEW	2 GAL.

GRASSES	QTY	BOTANICAL NAME	COMMON NAME	SIZE
CK	9	CALAMAGROSTIS X ACUTIFLORA 'KARL FOERSTER'	FEATHER REED GRASS	1 GAL.
HS	17	HELICTOTRICHON SEMPERVIRENS	BLUE OAT GRASS	1 GAL.
MG	7	MISCANTHUS SINENSIS 'GOLD BAR'	EULALIA	1 GAL.
ML	1	MISCANTHUS SINENSIS 'MORNING LIGHT'	EULALIA GRASS	1 GAL.
PH	6	PENNISETUM ALOPECUROIDES 'HAMELN'	HAMELN FOUNTAIN GRASS	1 GAL.

PERENNIALS	QTY	BOTANICAL NAME	COMMON NAME	SIZE
NW	11	NEPETA X FAASSENI 'WALKERS LOW'	WALKERS LOW CATMINT	1 GAL.
RF	14	RUDBECKIA FULGIDA 'GOLDSTRUM'	CONEFLOWER	1 GAL.

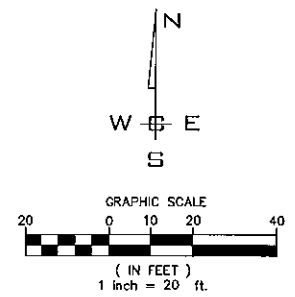
GROUND COVERS	QTY	BOTANICAL NAME	COMMON NAME	SIZE	SPACING
	26	GERANIUM X CANTABRIGIENSE 'BIOKOVO'	BIOKOVO CRANESBILL	1 GAL.	36" o.c.

**REFERENCE NOTES SCHEDULE**

SYMBOL	DESCRIPTION	QTY
①	PROPERTY LINE	
②	PROFESSIONAL BLACK PLASTIC EDGER	
③	4" IRRIGATION SLEEVE, DEPTH OF 24" UNDER PAVEMENT AND 12" ELSEWHERE. IRRIGATION SYSTEM IS A DESIGN BUILD AND IS CONNECTED TO THE EXISTING SYSTEM.	
④	POINT OF CONNECTION FOR THE SEPERATELY METERED IRRIGATION SYSTEM. PROVIDE DCVA PER CITY STANDARDS. MODIFY EXISTING DESIGN BUILD IRRIGATION SYSTEM.	
⑤	TRASH ENCLOSURE	
⑥	BOULDER (TYP.)	
⑦	THE HEIGHT OF THE VEGETATION LOCATED WITHIN THE VISION TRIANGLE SHALL NOT EXTEND MORE THAN TWO AND ONE-HALF (2 1/2') OR LESS THAN TEN FEET (10') IN HEIGHT ABOVE THE CENTERLINE GRADES OF THE INTERSECTING STREETS WITHIN THE VISION TRIANGLE.	
⑧	PYLON SIGN	
	IRRIGATED LAWN (SEED)	17,168 SF

**GENERAL NOTES:**

- SEE CIVIL PLANS FOR GRADING AND DRAINAGE INFORMATION.
- CONTRACTOR TO VERIFY LOCATION OF ALL UTILITIES PRIOR TO INSTALLATION OR ANY DEMOLITION OF CONSTRUCTION OPERATIONS. ANY DAMAGE TO EXISTING UTILITIES ON SITE OR ADJACENT PROPERTY SHALL BE CONTRACTOR'S RESPONSIBILITY.
- PRIOR TO DIGGING, VERIFY LOCATION OF ALL UNDER GROUND UTILITY I.E. CABLES, CONDUIT, GAS, WATER, SEWER, ELECTRICAL AND REPAIR ANY/ALL DAMAGE, NOT AN EXTRA COST TO THE OWNER.
- INSTALLER RESPONSIBLE FOR ALL REQUIRED PERMITS AND LOCAL CODES.
- PROVIDE 4" PVC SLEEVES AS REQUIRED, WITH 24" OF COVER UNDER PAVEMENT, MIN.
- 110-VOLT ELECTRICAL SERVICE FROM ELECTRICAL SOURCE TO IRRIGATION CONTROLLER. INCLUDING WIRE HOOK-UP, INTO CONTROLLER, IRRIGATION CONTRACTOR TO MOUNT CONTROLLER PER DESIGN AND COORDINATE WITH GENERAL CONTRACTOR.



PLANS  
 NOT APPROVED  
 BY AGENCY

NO. DATE BY REVISIONS	SCALE:	PROJ #: 20-2563	WHIPPLE CONSULTING ENGINEERS 21 S. PINES ROAD SPOKANE VALLEY, WA 99208 PH: 509-893-2617 FAX: 509-826-0227	P1FCU LANDSCAPE PLAN PONDERAY, ID	SHEET L1.0
	HORIZONTAL: 1"=20'	DATE: 03/25/20			JOB NUMBER 20-2563
	VERTICAL: N/A	DRAWN: HMS			
		REVIEWED: SMM			

**LANDSCAPE NOTES:**

- NO PLANTING SHALL BE DONE UNTIL INSTALLATION OF THE SPRINKLER SYSTEM IS COMPLETED, FINAL GRADES HAVE BEEN ESTABLISHED, PLANTING AREAS HAVE BEEN PROPERLY GRADED AND PREPARED AND THE WORK APPROVED BY THE LANDSCAPE ARCHITECT.
- ALL PLANTS TO BE APPROVED BY THE DESIGNER OF THIS PLAN.
- CONTRACTOR IS RESPONSIBLE FOR CHECKING ANY QUESTIONABLE NOTE, PLANT NAMES, SIZES, AND QUANTITIES.
- IN THE EVENT OF DISCREPANCY OR SITE FACTORS AFFECTING INSTALLATION AS PER PLAN NOTIFY THE LANDSCAPE ARCHITECT.
- ALL LAWN AREAS AND PLANTING BEDS SHALL BE STRIPPED AND CLEARED OF WEEDS, ROOTS, LAWN, AND DEBRIS. SPECIFIED LANDSCAPE AREAS SHALL BE RAKED TO A SMOOTH AND EVEN GRADE, AND ROCK/DEBRIS LARGER THAN 1 1/2" TO BE REMOVED.
- TOP SOIL TO BE INSTALLED TO A DEPTH OF 4". IN LAWN AREAS, UNLESS OTHERWISE NOTED, TOPSOIL BROUGHT TO THE SITE SHALL BE SANDY LOAM THAT IS NON-TOXIC, WELL-DRAINED AND FREE OF NOXIOUS WEEDS, GRASS, BRUSH, STICKS, ROCKS, GREATER THAN 1" DIAMETER COARSE GRAVEL, HARD CLAY, AND OTHER DEBRIS UNLESS OTHERWISE NOTED, FINAL GRADE SHALL BE RAKED SMOOTH AND EVEN.
- SUB GRADE IN ALL LANDSCAPE AREAS TO BE +/-0.5'.

**11. TREE PLANTING SPECIFICATIONS**

- TREE PLANTING HOLES SHALL BE 3-5 TIMES THE DIAMETER OF THE ROOT BALL OF THE TREE TO BE PLANTED. THE TREE SHOULD BE CENTERED IN THE HOLE.
- ROPES, STRINGS, BURLAP AND OTHER WRAPPING SHALL BE REMOVED FROM THE ROOT BALL. PLASTIC CONTAINERS AND WIRE BASKETS SHALL BE REMOVED ENTIRELY BEFORE TREE IS PLACED IN THE PLANTING HOLE.
- SOIL UNDER THE TREE ROOT BALL WILL REMAIN UNDISTURBED TO SUPPORT ROOT BALL AND REDUCE SETTING.
- THE ROOT COLLAR SHALL BE LEVEL OR UP TO 1 INCH ABOVE THE FINISHED GRADE.
- BACKFILL USING EXISTING SOIL. WATER THOROUGHLY TO ELIMINATE AIR POCKETS. DO NOT TAMP.
- COVER THE TREE RING AREA (MINIMUM OF 6" DIAMETER) WITH 2 TO 4 INCHES OF ORGANIC MATERIAL. MULCH SHOULD BE NO CLOSER THAN 4 INCHES FROM THE ROOT COLLAR OF THE TREE. COMPOST OR WOOD CHIPS ARE ACCEPTABLE MULCH MATERIALS. DO NOT USE ROCK AS MULCH.
- STAKE ONLY IF NECESSARY FOR STABILITY. TIES SHOULD BE TIGHT ENOUGH TO SUPPORT THE TREE WHILE ALLOWING THE TREE TO SWAY. ALL TIES AND STAKES SHALL BE REMOVED WITHIN A YEAR. IF THE TREE STILL REQUIRES SUPPORT, CONTRACTOR MUST REPLACE TREE.
- WATER NEW TREES TO A DEPTH OF 12 TO 18 INCHES AT LEAST ONCE A WEEK DURING THE FIRST THREE GROWING SEASONS. DURING PERIODS OF DROUGHT, NEW TREES NEED MORE FREQUENT WATERING. TREES SHOULD BE ON A SEPARATE ZONE FROM TURF.
- MAINTAIN TREE RINGS (MULCHED AREA) OR INSTALL ADEQUATE EDGING MATERIAL TO KEEP TURF AND WEEDS OUT OF THE RING.
- ROOT BARRIERS SHALL BE USED WHEN PLANTING TREES WITH FOUR FEET (4') OF ANY PUBLIC CURB OR SIDEWALK.

**12. AMENDED BACKFILL FOR SHRUB PLANTING HOLES SHALL BE:**

- 80% OF ON SITE SOIL.
- 20% OF ORGANIC AMENDMENT.

**13. ALL PLANT MATERIAL SHALL CONFORM TO THE CURRENT AMERICAN ASSOCIATION OF NURSERYMEN'S NATIONAL STANDARD SPECIFICATIONS.**

**14. ALL PLANT MATERIAL INSTALLED BY THE LANDSCAPE CONTRACTOR SHALL BE WARRANTED FOR 1-YEAR. LANDSCAPE CONTRACTOR SHALL REPLACE ANY PLANTS WHICH ARE DEAD, EXCEPT THOSE DUE TO VANDALISM OR NEGLIGENCE, WITH PLANT MATERIAL EQUAL TO ORIGINAL.**

**15. CONTRACTOR SHALL VERIFY ALL QUANTITIES. IN THE CASE OF A DISCREPANCY, THE ILLUSTRATED LOCATIONS SHALL DICTATE COUNT.**

**16. NO SUBSTITUTIONS WILL BE ALLOWED WITHOUT THE WRITTEN CONSENT OF THE LANDSCAPE ARCHITECT AND OR THE OWNER.**

**17. THREE INCHES (3") OF BLACK BASALT CHIP MULCH TO BE USED IN ALL SHRUB BEDS. UNLESS OTHERWISE NOTED. SPREAD GREEN OR EQUIVALENT, BEFORE MULCH PLACEMENT, TO PREVENT WEEDS.**

**18. FERTILIZER TABLETS SHALL BE AGRIFORM "PLANTING TABLETS" AS MANUFACTURED BY AGRIFORM INTERNATIONAL CHEMICAL, INC. OR EQUAL, FERTILIZE ONLY AFTER THE FIRST YEAR PLANTED, ONLY IF THE PLANTS NEED FERTILIZER, PER THE FOLLOWING SCHEDULE:**

PLANT SIZE	TABLET QUAN.	TABLET STRENGTH
1-2 GAL.	1	10 GRAM
5 GAL.	2	21 GRAM
3/4"-1 1/4" CAL.	4	21 GRAM

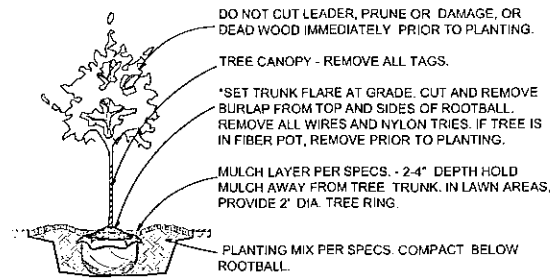
**18. MAINTAIN A 2' MIN. SPACE BETWEEN BUILDING WALLS AND MATURE WIDTH OF ADJACENT PLANTS.**

**19. CONTRACTOR SHALL INSTALL LANDSCAPE EDGER PER PLAN.**

**20. NO TREE SHALL BE PLANTED WITHIN (15) FEET OF ANY DRIVEWAY, ALLEY, STREETLIGHT, UTILITY POLE, NON-SAFETY STREET SIGN (EX. PARKING, STREET NAME) OR FIRE HYDRANT. NO TREE SHALL BE PLANTED WITHIN (20) FEET OF A CRITICAL STREET SAFETY SIGN (EX. STOP, YIELD, OR PEDESTRIAN CROSSING). THE POTENTIAL PLACEMENT OF STREET SIGNS STREET LIGHTS AND UTILITY POLES SHALL BE EVALUATED TO LESSEN THE CONFLICTS WITH THE GROWTH OF EXISTING STREET TREES.**

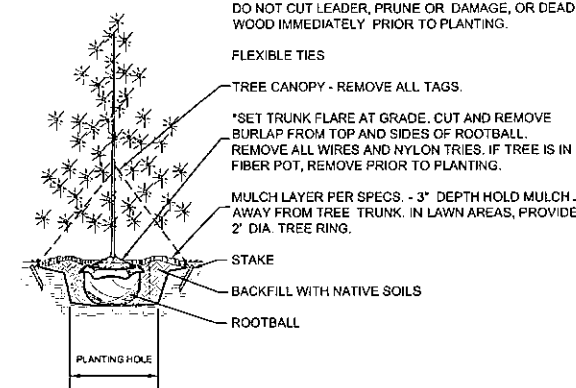
**IRRIGATION NOTES:**

- IRRIGATED HYDROSEED SHALL BE IN ALL LAWN AREAS, UNLESS OTHERWISE NOTED.
- IRRIGATION SYSTEM IS DESIGN BUILD. IRRIGATION POINT OF CONNECTION IS AT WATER STUB. INSTALL METER, BACKFLOW PREVENTION DEVICE, IRRIGATION CONTROLLER, VALVES AND IRRIGATION PIPE AND EMITTERS/HEADS. ALL MAINLINES SHALL BE SCH. 40 P.V.C. ALL LATERAL LINES SHALL BE POLY N.S.F. 100 PSI. ALL IRRIGATION PIPING SHALL BE SIZED NOT TO EXCEED (5) FEET PER SECOND, MAXIMUM VELOCITY. CONTRACTOR SHALL GUARANTEE IRRIGATION SYSTEM FOR ONE YEAR AGAINST DEFECTIVE MATERIALS AND WORKMANSHIP. ANY REPAIRS REQUIRED DURING THIS PERIOD, IF DUE TO DEFECTIVE MATERIALS OR WORKMANSHIP, SHALL BE MADE BY THE CONTRACTOR AT NO COST TO THE OWNER. A DRIP SYSTEM SHALL BE DESIGNED FOR TREES AND SHRUBS ON SEPARATE ZONES FROM LAWN AREA. LAWN AREAS SHALL HAVE A 100% COVERAGE BY SPRINKLER HEADS.
- TREES SHALL BE ON A SEPARATE IRRIGATION ZONE.

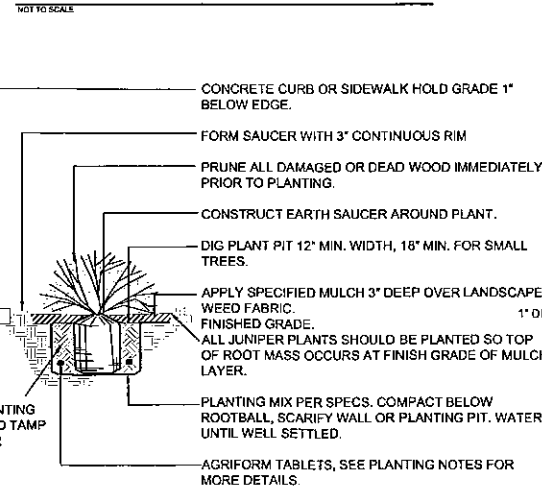


**DECIDUOUS TREE PLANTING**

NOT TO SCALE  
NOTES:  
\* USE TRUNK FLARE TO DETERMINE THE REAL TOP OF THE ROOTBALL, THEN PLANT TRUNK FLARE AND TOP OF ROOTBALL AT GRADE.

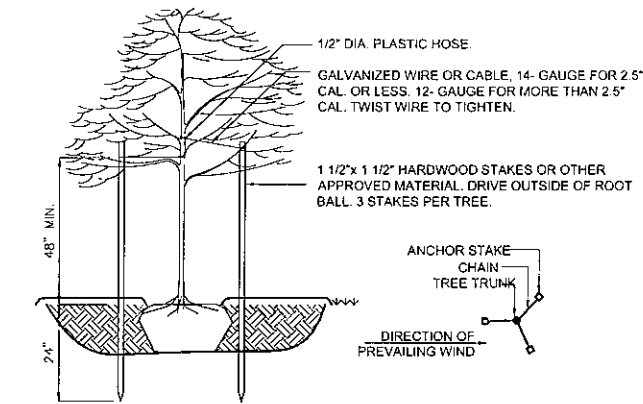


**EVERGREEN TREE PLANTING**



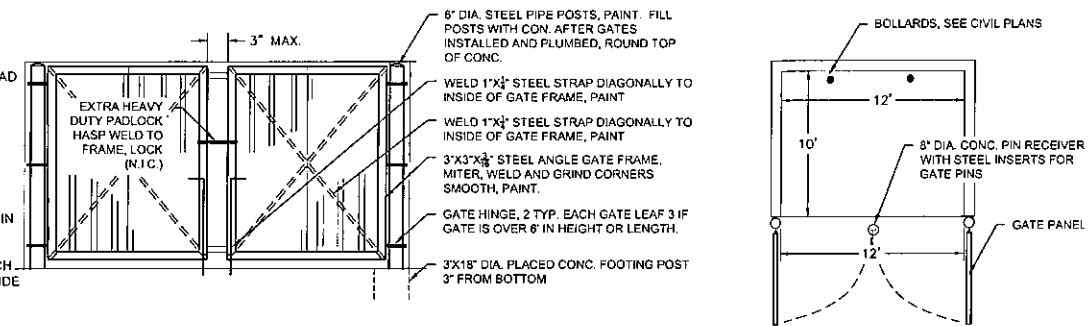
**SHRUB PLANTING**

NOT TO SCALE



**TREE STAKING**

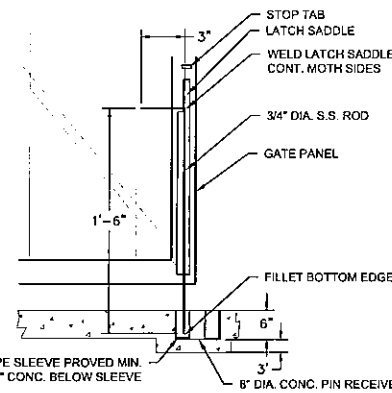
NOT TO SCALE



**6' TALL TRASH ENCLOSURE DETAIL**

NOT TO SCALE

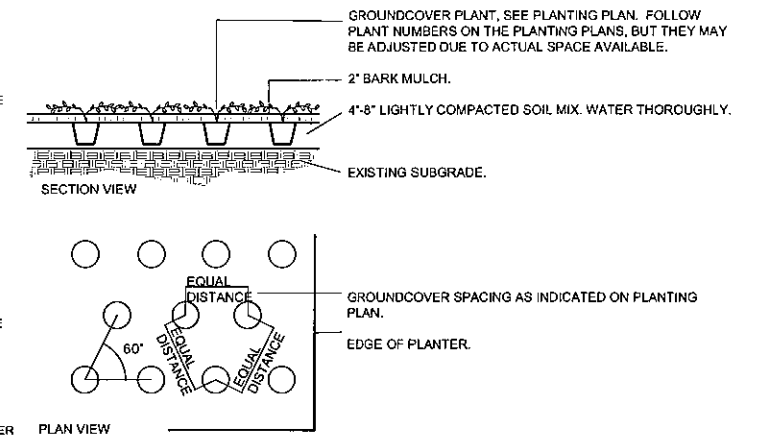
- NOTE 1. CONTRACTOR TO PROVIDE SHOP DRAWINGS TO LANDSCAPE ARCHITECT FOR APPROVAL PRIOR TO FABRICATION.  
2. COLORS ARE TO MATCH THE PROPOSED BUILDING.



**CANE LATCH DETAIL FOR TRASH ENCLOSURE**

NOT TO SCALE

NOTE: CONTRACTOR TO PROVIDE SHOP DRAWINGS TO ARCHITECT FOR APPROVAL PRIOR TO FABRICATION



**GROUND COVER PLANTING**

NOT TO SCALE

NO.	DATE	BY	REVISIONS

<b>SCALE:</b>	
HORIZONTAL:	N/A
VERTICAL:	N/A

PROJ #:	20-2563
DATE:	03/25/20
DRAWN:	HMS
REVIEWED:	SMM

DISCIPLINE	
STRUCTURAL	
SURVEYING	
TRAFFIC	
PLANNING	
LANDSCAPE	X
OTHER	

**IWCE**  
WHIPPLE CONSULTING ENGINEERS  
21 S. PINES ROAD  
SPOKANE VALLEY, WA 99226  
PH: 509-893-2617 FAX: 509-925-9227

**P1FCU LANDSCAPE DETAILS**  
**PONDERAY, ID**

**SHEET L1.0**  
JOB NUMBER **20-2563**

**UNDERGROUND SERVICE ALERT**  
**ONE-CALL NUMBER**  
**811**  
CALL TWO BUSINESS DAYS BEFORE YOU DIG

**MAP MERCIER ARCHITECTURE & PLANNING**  
1800 N. ARBOR RD. #201  
SPOKANE VALLEY WA 99212  
1P3 509.951.0311

PLANS NOT APPROVED BY AGENCY

STATE OF IDAHO  
SUSAN M. WILSON  
LANDSCAPE ARCHITECT  
03-25-2020